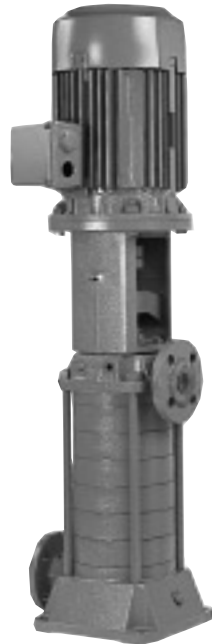


MCV, MCVS

Vertical multistage pump



System characteristics

The MCV(S) family, a range of vertical high pressure multistage pumps, has a high interchangeability in parts to other pumps from Johnson Pump, like MCH and MCHZ.

There are seven different sizes, each built up with one or more stages.

Applications

The MCV(S) pump family is suitable for handling clean or slightly contaminated liquids for instance well water, hot water, various coolants, condensed water, brine lye, sea water, petrol, kerosene, and petroleum.

For e.g. booster installations, hot water circulating systems, airconditioning systems, cooling for stationery and marine installations, industry, waterworks, agriculture and horticulture, spraying installations and ship-building. As a general service and transport pump for feed installations in the industry, industries in general, road building and hydraulic engineering.

Pump specifics

- Suitable for a wide span of duties
- Rubber coupling guarantees a noiseless pump and also a long life
- Large hydraulic field of application
- Also available in horizontal position
- Suitable for various liquids
- High interchangeability in spare parts between different sizes, thus limiting spare parts stock levels

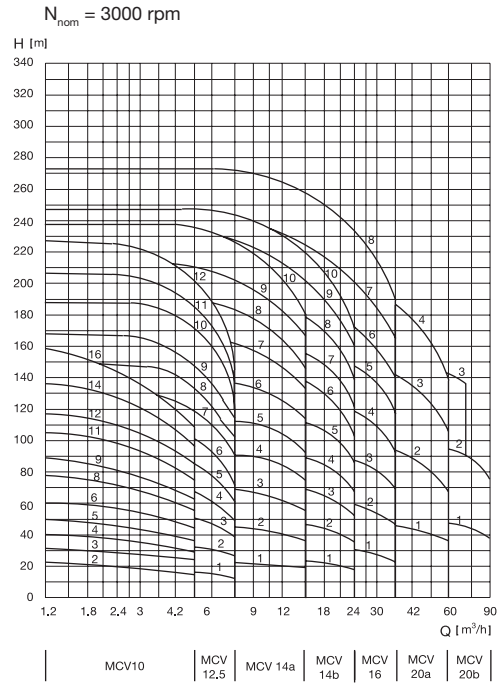
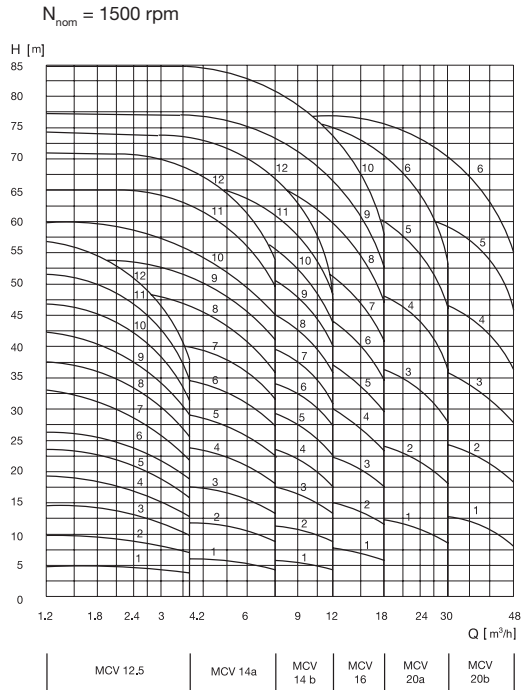
Technical data

Type MCV:	Stuffing box packing Temperature -15°C – +105°C
Type MCVS:	Mechanical seal Temperature -20°C – +120°C
Maximum capacity:	100 m ³ /h
Maximum delivery head:	340 m
Maximum operating pressure:	40 - 3 x inlet pressure bar (4000 - 3 x inlet pressure kPa) <i>depending on pump size/materials</i>

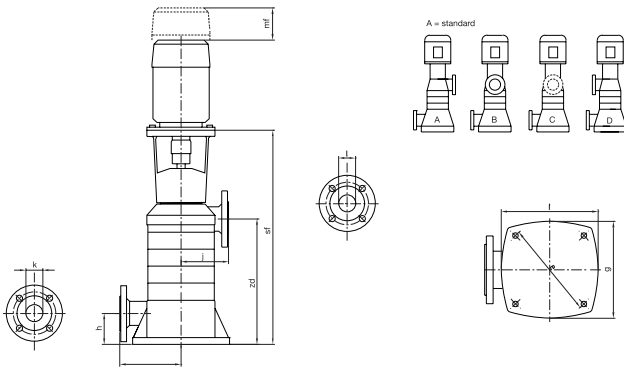
Materials

Casing parts	Cast iron	
Impeller	Cast iron	Bronze
Pump shaft	Steel alloy	
Lantern piece	Cast iron	

Performance data



Dimensions



	10 x n - 2,5	12,5 x n - 3,2	14a/b x n - 5	16 x n - 6,5	20 a/b x n - 8
e	195	280	310	350	450
f	174	250	285	315	400
g	174	250	285	315	400
h	-	75	90	114	114
j	65	125	140	160	225
k	-	32	50	65	80
l	-	32	50	65	80

mf : depending on motor frame size

MCV - MCVS	sf	zd
10 x 2	425	180
10 x 3	425	180
10 x 4	448	203
10 x 4	448	203
10 x 5	471	226
10 x 5	471	226
10 x 5	471	226
10 x 6	494	249
10 x 6	494	249
10 x 8	563	318
10 x 8	573	318
10 x 9	563	318
10 x 9	573	318
10 x 11	666	411
10 x 11	666	411
10 X 12	666	411
10 X 12	666	411
10 X 14	712	457
10 X 16	759	504

MCV - MCVS	sf	zd
12,5 x 1	440-460	199
12,5 x 2	485-505	244
12,5 x 3	530-550-560	289
12,5 x 4	575-595-605	334
12,5 x 5	620-640-650-670	379
12,5 x 6	665-685-695-715	424
12,5 x 7	730-740-760	459
12,5 x 8	775-835	514
12,5 x 9	820-850-880	559
12,5 x 10	865-895-925	604
12,5 x 11	910-940	649
12,5 x 12	955-985-1115	694
14a x 1	460-480	219
14a x 2	510-530-540	269
14a x 3	580-590-610	319
14a x 4	630-660-690	369
14a x 5	680-710-740	419
14a x 6	730-760-790	469
14a x 7	780-790-840	519

MCV - MCVS	sf	zd
14a x 8	830-840-890	569
14a x 9	880-890-940	619
14a x 10	930-940-990	669
14a x 11	990	719
14a x 12	1040	769
14b x 1	460-480-490	219
14b x 2	530-540-560	269
14b x 3	580-610-640	319
14b x 4	630-640-660-690	369
14b x 5	680-690-740	419
14b x 6	730-740-790	469
14b x 7	780-790-840	519
14b x 8	840-890	569
14b x 9	890-940	619
14b x 10	940-990	669
14b x 11	990	719
14b x 12	1040-1060	769
16 x 1	584-594-614	271
16 x 2	644-674-704	331

MCV - MCVS	sf	zd
16 x 3	704-714-764	391
16 x 4	764-774-824	451
16 x 5	834-884	511
16 x 6	894-914-944	571
16 x 7	954-974-1004	631
16 x 8	1014-1034-1064	691
16 x 9	1074-1094	751
16 x 10	1134-1154	811
20a x 1	638-648-668-698	319
20a x 2	723-773	394
20a x 3	798-818-848	469
20a x 4	873-893-923	544
20a x 5	968-998	619
20a x 6	1043-1073	694
20b x 1	638-648-698	319
20b x 2	723-743-773	394
20b x 3	818-848	469
20b x 4	893-923	544
20b x 5	968-998	619
20b x 6	1073	694



Johnson Pump B.V.

